

MONOLITE JB SERIES
87 TO 851 KILOWATTS



EFFICIENCY



CONDENSING HOT WATER BOILERS

MONOLITE JB SERIES 87 kW – 851 kW

ICI CALDAIE MONOLITE JB is a high efficiency condensing boiler ranging from 87 to 851 kW for single or modular use. MONOLITE JB has a maximum efficiency of 107% and an operating pressure of 500 kPa.

FEATURES

- **Frame manufactured out of steel** vertical profile structure, complete with floor support.
- **Large cylindrical combustion chamber** manufactured out of AISI 316 Ti stainless steel, MIG pulse welded, able to withstand acid condensate attack.
- **AISI 316 Ti anti acid stainless steel**, vertical heat exchange surfaces, TIG welded, grafted perpendicularly to the combustion chamber, consisting of stainless steel plates printed with special conformity specifications in order to increase heat exchange surface, and facilitate condensate droplet formation, allowing adequate drainage. Heat exchange surface vertical arrangement also facilitates condensate drainage, ensuring an effective plate self-cleaning function.
- **Welding** carried out with TIG method, method which does not require weld material, and therefore guarantees stainless steel main mechanical characteristics, without sacrificing corrosion resistance to acid condensation.
- **Flanged supply connection** and two system return connections for boiler differential temperature input and ensure minimum possible temperature in lowest point of the condensation curve and then take maximum advantage from the condensation process even in the presence of medium-high temperature returns.
- **Exhaust gas chamber** able to collect resulted condensate and discharge it through a water trap connected to a neutralizer (where provided) to the domestic water drainage system.
- **High water content** and low thermal load.
- **Heat dispersion surface** insulation with thick glass wool mattress, protected with steel varnished panels that can be easily removed.
- **Front door** with reversible steel sheet opening thermally insulated with ceramic fiber.

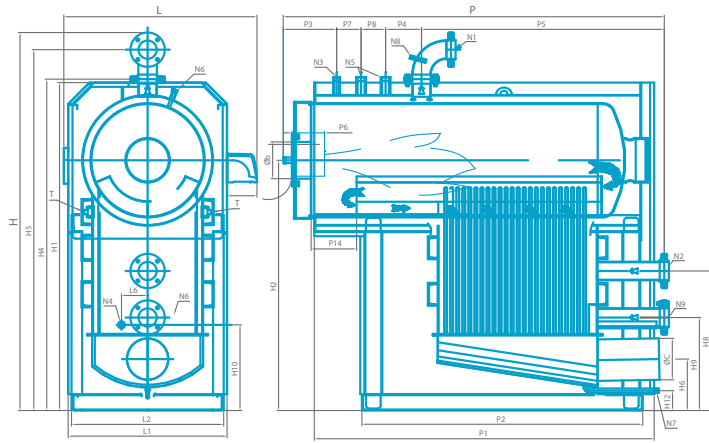
BENEFITS

- Small dimensions
- High water content
- Twin water return
- Can be used on traditional heating circuits such as radiators and heating fan coils, increasing the efficiency up to 107%
- Stainless steel heat exchanger

APPLICATIONS

- Hospital
- Commercial buildings
- Government buildings
- Commercial and industrial applications

STELT SERIES



REFERENCE DRAWING

Legend:

- N1 Boiler flow
- N2 Medium temperature return
- N3 Equipment connections
- N4 System load/drain connection
- N5 Safety valve connection
- N6 Bulb sheath
- N7 Boiler condensate drain
- N8 Control cover
- N9 Low temperature return
- N11 Return probe connection
- T Inspection Plugs

Standard equipment

Complete insulating casing

CHARACTERISTICS MODEL	EFFECTIVE CAPACITY TEMP: TOTAL MEDIUM 70°C	EFFECTIVE CAPACITY FLOW/RETURN 50°/30°C	100% EFFICIENCY TEMP: MEDIUM 70°C	100% EFFICIENCY TEMP: FLOW/RETURN 50°/30°C	PRESSURE DROP COMBUSTION GAS	PRESSURE DROP HYDRAULIC (ΔT=12°C)	WATER CONTENT	WEIGHT TOTAL
STELT	kW	kW	%	%	mbar	mbar	lt	kg
MONOLITE 75 JB	87	95	98,3	107,5	0,8	12	150	220
MONOLITE 95 JB	110	120	98,3	107,5	1,0	19	210	280
MONOLITE 125 JB	145	158	98,3	107,5	1,1	33	200	320
MONOLITE 160 JB	186	203	98,3	107,5	1,5	19	308	520
MONOLITE 210 JB	244	266	98,3	107,5	2,0	33	285	590
MONOLITE 270 JB	313	343	98,3	107,5	2,1	24	340	680
MONOLITE 350 JB	406	445	98,3	107,5	2,3	16	392	1030
MONOLITE 440 JB	511	559	98,3	107,5	2,5	26	560	1230
MONOLITE 550 JB	639	699	98,3	107,5	2,7	40	523	1270
MONOLITE 610 JB	709	775	98,3	107,5	3,4	49	523	1270
MONOLITE 670 JB	779	851	98,3	107,5	4,1	60	523	1270

DIMENSIONS

Dimensions Model	H mm	H1 mm	H2 mm	H4 mm	H5 mm	H6 mm	H8 mm	H9 mm	H10 mm	H12 mm	L mm	L1 mm	L2 mm	L6 mm	P mm	P1 mm	P2 mm	P3 mm	P4 mm	P5 mm	P6 mm	P7 mm	P8 mm	P14 mm	Øb mm	Øc mm	N1 DN/in	N2 DN/in	N3 DN/in	N4 DN/in	N5 DN/in	N6 DN/in	N7 DN/in	N8 DN/in	N9 DN/in
MONOLITE 75 JB	1825	1734	1348	-	-	264	837	557	432	125	939	756	710	-	990	881	670	318	350	322	200-250	-	-	110	150	150	50	50	1"	1"	-	1/2"	3/4"	1/2"	50
MONOLITE 95 JB	1825	1734	1348	-	-	264	837	557	432	120	966	756	710	-	1330	1221	1010	318	200	812	200-250	-	-	145	150	180	50	50	1"	1"	-	1/2"	3/4"	1/2"	50
MONOLITE 125 JB	1825	1734	1348	-	-	264	837	557	432	120	966	756	710	-	1330	1221	1010	318	200	812	200-250	-	-	150	150	180	50	50	1"	1"	-	1/2"	3/4"	1/2"	50
MONOLITE 160 JB	2151	1941	1510	1952	2071	367	864	589	562	192	1063	853	814	150	1550	1296	1004	323	175	1052	250-300	-	-	210	205	200	65	65	1"	1"	-	1/2"	3/4"	1/2"	65
MONOLITE 210 JB	2151	1941	1510	1952	2071	367	864	589	562	192	1063	853	814	150	1550	1296	1004	323	175	1052	250-300	-	-	210	205	200	65	65	1"	1"	-	1/2"	3/4"	1/2"	65
MONOLITE 270 JB	2200	1941	1510	1955	2105	367	864	589	562	192	1063	853	814	150	1801	1546	1254	323	195	1283	250-300	-	-	270	205	200	80	80	1"	1/4 1"	-	1/2"	3/4"	1/2"	80
MONOLITE 350 JB	2310	2008	1532	2025	2205	315	854	569	524	121	1201	991	932	200	1817	1577	1205	324	220	973	250-300	150	150	270	225	250	100	100	1"	1"	1 1/2"	1/2"	3/4"	1/2"	100
MONOLITE 440 JB	2310	2008	1532	2025	2205	315	854	569	524	121	1201	991	932	200	2331	2092	1720	324	220	1487	250-300	150	150	285	225	250	100	100	1"	1"	1 1/2"	1/2"	3/4"	1/2"	100
MONOLITE 550 JB	2310	2008	1532	2025	2205	315	854	569	524	121	1201	991	932	200	2331	2092	1720	324	220	1487	250-300	150	150	285	225	250	100	100	1"	1"	1 1/2"	1/2"	3/4"	1/2"	100
MONOLITE 610 JB	2310	2008	1532	2025	2205	315	854	569	524	121	1201	991	932	200	2331	2092	1720	324	220	1487	250-300	150	150	285	225	250	100	100	1"	1"	1 1/2"	1/2"	3/4"	1/2"	100
MONOLITE 670 JB	2310	2008	1532	2025	2205	315	854	569	524	121	1201	991	932	200	2331	2092	1720	324	220	1487	250-300	150	150	285	225	250	100	100	1"	1"	1 1/2"	1/2"	3/4"	1/2"	100

Australian family owned Company since 1932 Sold in over 30 countries around the world



DISTRIBUTED BY

SYDNEY Head Office

Unit 1, 33 Maddox Street
Alexandria NSW 2015
Australia
Phone: 61 2 8338 8660
Fax: 61 2 8338 8661
Email: info@simonsboiler.com.au

MELBOURNE

34 Strong Avenue
Thomastown VIC 3074
Australia
Phone: 61 3 9462 6700
Fax: 61 3 9462 6711