



VWT SERIES
60 kW TO 1.25 MW

GAS - DIESEL STEAM BOILER

VWT SERIES 60 kW - 1.25 MW

The Simons VWT series are highly efficient water-tube steam boilers with features and system options designed to meet the clients specification. With steam capacities ranging from 92 to 1,956 kg/hr, the VWT series are available in natural gas, LPG or diesel firing configurations, or combination of two fuels.

FEATURES

- **The VWT boilers** have a standard design pressure of 1050kpa, but are supplied fitted out to clients specification.
- **Space requirements** - the VWT range of boilers being vertical down fired design, takes a minimum of valuable floor space.
- **Operating costs** - are minimised with the VWT boilers, the 3 pass natural circulation water wall design will provide a guaranteed minimum of 80% efficiency across the operating range of boiler.
- **Boiler tickets** - are not required for the VWT range of boilers. Safety features exceed code minimum requirements, with boilers greater than 500kW being fitted with system diagnostics, and self check functions.
- **Radiated heat** - is not a problem with VWT boilers, high quality thermal insulataion is fitted to the boilers, ensuring a more comfortable workplace, and increased energy efficiency.
- **Quality fitout** - of the VWT boilers has enabled a low cost low maintenance steam boiler that will provide many years of reliable service.
- **Warranty:** VWT boilers carry a 12 months warranty on controls, peripheral equipment and shell, providing the boiler is operated and maintained within relevant Standards, including water treatment.

ADVANTAGES

- Low capital cost
- Fully welded tubes
- 3 pass design
- Rapid startup saves time
- Low heat emissions
- Small floor space needed
- No boiler tickets required
- Quality fitout components
- Easy to operate
- Easy to service
- Parts readily available

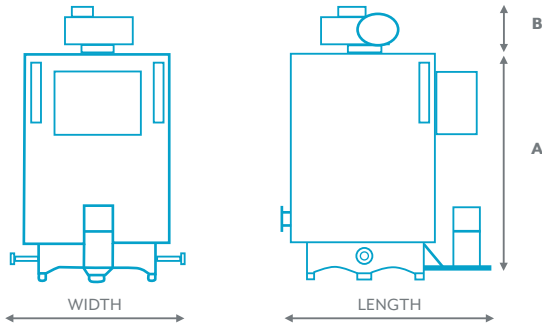
APPLICATIONS

- Hospital Sterilizers
- Autoclaves
- Laundries
- Dry cleaners
- Industrial process heating
- Food processors
- Apiarists
- Pharmaceutical Industry
- Rubber Processors

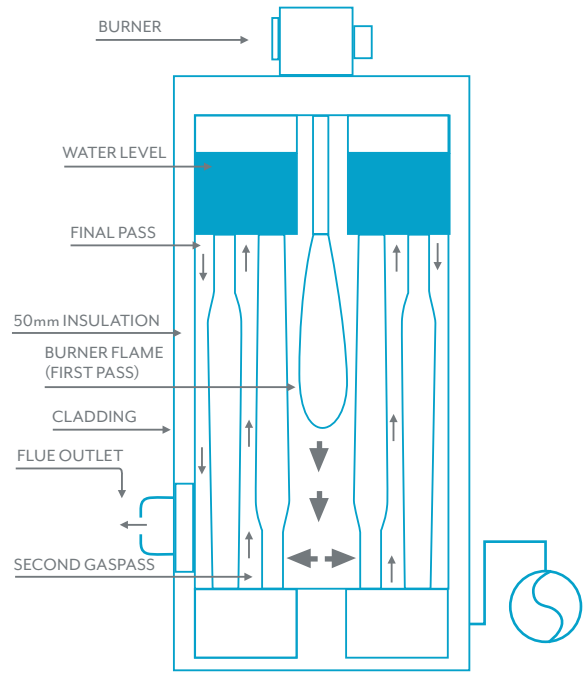
VWT SERIES 60 kW - 1.25 MW

60 kw boilers single phase power supply only required. All other boilers require a 3 phase supply, with neutral and earth. Boiler design pressure is 1050 kpa. Boilers are supplied set up for 700 kpa unless otherwise specified. Commissioning data sheet must be returned to validate warranty. Boilers over 500kw have two feed pumps fitted as standard. Above information is based on propane, natural gas, or diesel fuel. All boilers are supplied complete with MDR and manuals. Output is evaporation f & a 100 °C.

* Subject to changes without notice.



DIMENSIONS DRAWING



SCHEMATIC DIAGRAM

MODEL NUMBER	BOILER HP	BOILER KW	OUTPUT lb/hr	OUTPUT kg/hr	INPUT mj/hr	DIAM mm	WIDTH mm	LENGTH mm	HEIGHT A mm	HEIGHT B mm	SHIPPING WEIGHT Kg	FLUE SIZE mm	STEAM OUTLET mm	POWER AMPS	WATER INLET mm	SAFETY VENTS mm	B/DOWN LINES mm	FLOODED VOLUME
VWT Series																		
6 VWT	6	60	202	92	270	600	850	950	1300	300	700	125	15	10	20	20	25	112 L
10 VWT	10	100	339	154	450	700	950	1050	1440	400	900	150	20	10	25	20	25	212 L
15 VWT	15	150	511	232	675	700	950	1050	1600	400	1000	150	20	10	25	20	25	240 L
20 VWT	20	200	681	309	900	870	1050	1150	1850	450	1500	200	25	10	25	25	25	362 L
25 VWT	25	250	850	386	1125	1175	1400	1500	1850	450	2200	200	32	10	25	25	40	688 L
30 VWT	30	300	1020	463	1350	1175	1400	1500	2050	450	2400	200	32	10	25	25	40	731 L
35 VWT	35	350	1192	541	1575	1175	1400	1500	2250	450	2400	200	40	10	25	25	40	774 L
40 VWT	40	400	1358	616	1800	1175	1400	1500	2250	500	2500	200	40	15	25	25	40	800 L
50 VWT	50	500	1704	773	2250	1300	1550	1650	1930	500	2700	250	40	15	25	25	40	891 L
60 VWT	60	600	2045	928	2700	1300	1550	1650	2140	650	2750	250	50	15	25	25	40	953 L
75 VWT	75	750	2557	1160	3375	1300	1550	1650	2410	650	3200	250	50	15	25	32	40	1068 L
100 VWT	100	1000	3410	1547	4500	1400	1650	1800	2340	750	4200	300	65	20	25	32	40	1296 L
125 VWT	125	1250	4312	1956	5471	1500	1800	1900	2600	1100	4400	300	65	20	25	32	40	1768 L

Australian family owned Company since 1932
 Sold in over 30 countries around the world



DISTRIBUTED BY

SYDNEY Head Office

Unit 1, 33 Maddox Street
 Alexandria NSW 2015
 Australia
 Phone: 61 2 8338 8660
 Fax: 61 2 8338 8661
 Email: info@simonsboiler.com.au

MELBOURNE

34 Strong Avenue
 Thomastown VIC 3074
 Australia
 Phone: 61 3 9462 6700
 Fax: 61 3 9462 6711